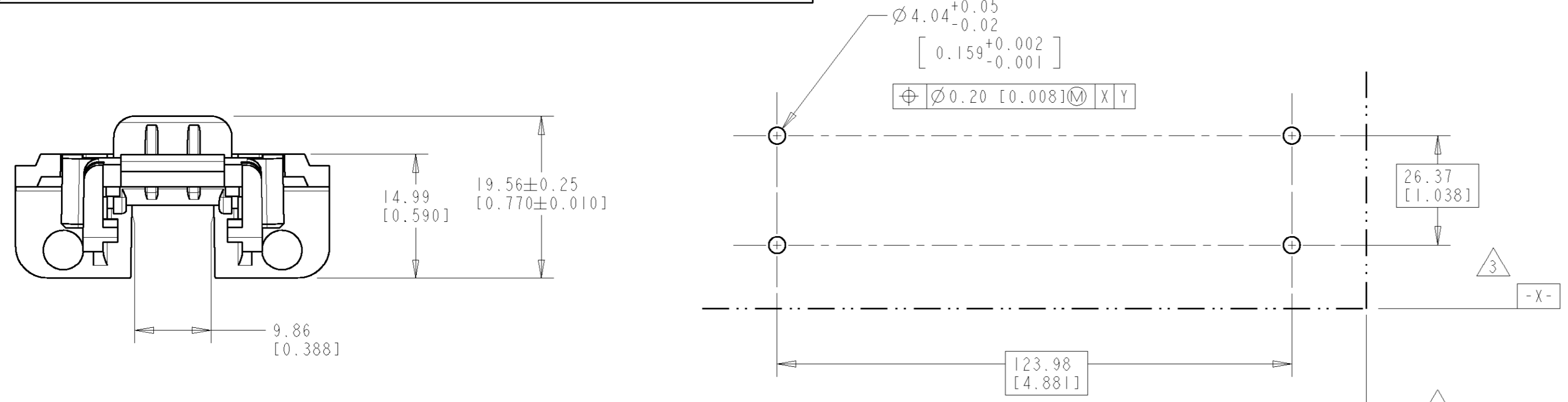


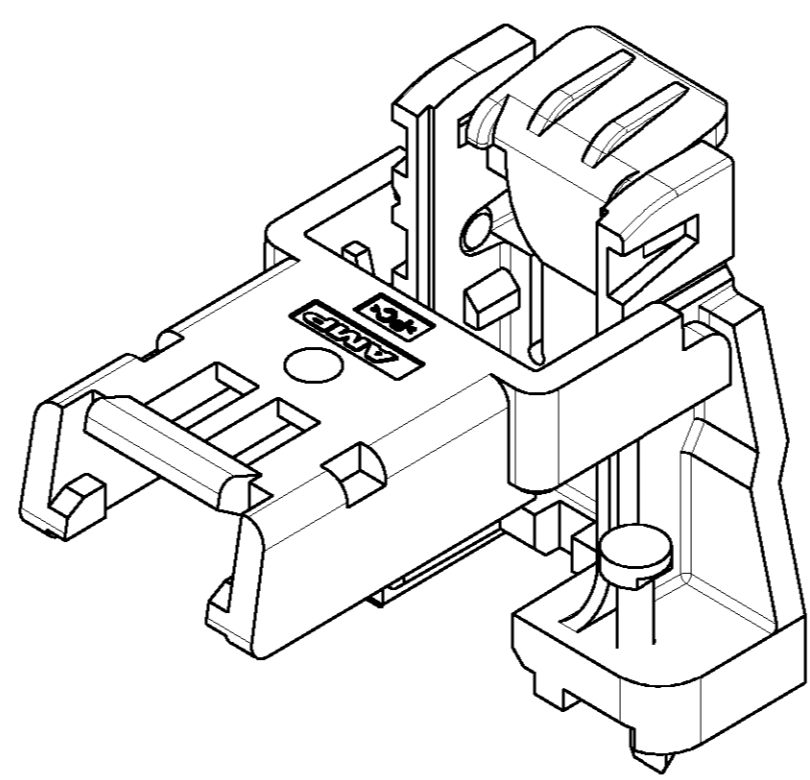
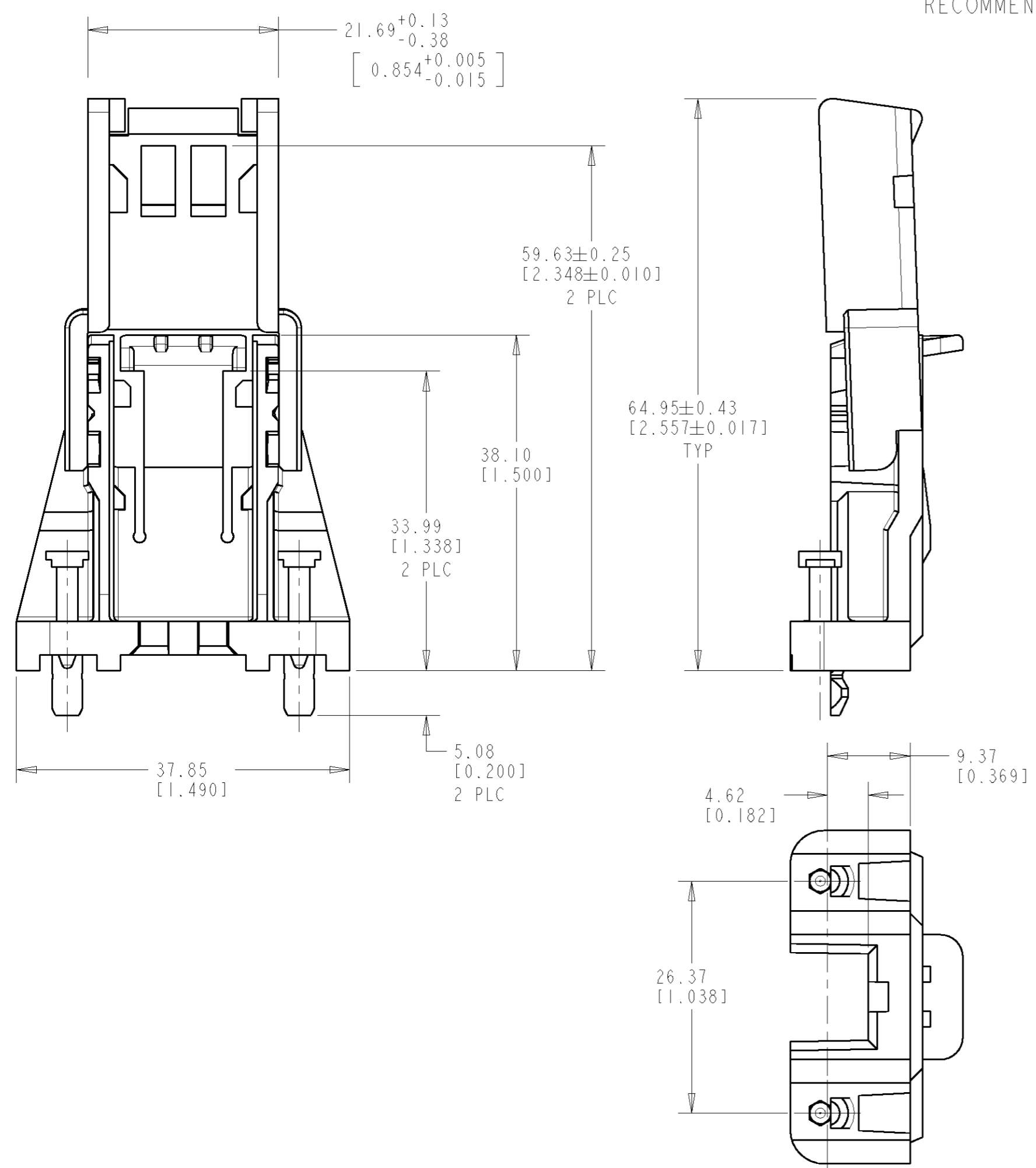
THIS DRAWING IS UNPUBLISHED. RELEASED FOR PUBLICATION  
 BY AMP INCORPORATED. ALL RIGHTS RESERVED.

LOC		DIST		REVISIONS			
P	LTR	DESCRIPTION	DATE	DWN	APVD		
0		RELEASED	15SEP98	RB	EL		
A		REVISED PER 0651-0241-98	29OCT98	RB	EL		
B		REVISED PER 0S1B-0084-99	03NOV99	JM	DS		

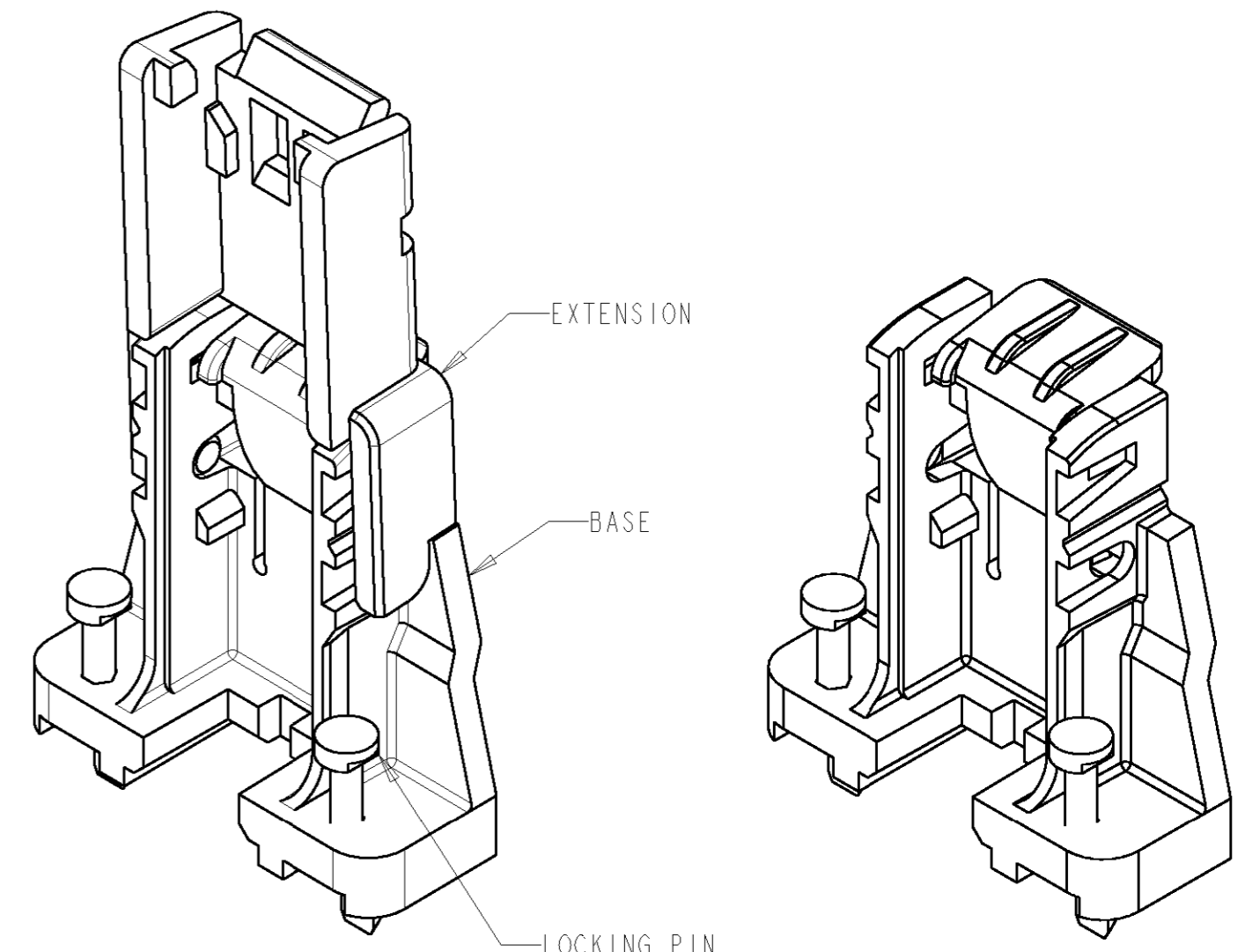


- 1 ALL MOLDED COMPONENTS- UL 94-V0 RATED POLYCARBONATE, BLACK.
- 2 RECOMMENDED PC BOARD THICKNESS OF 1.57±0.15 [1.062±.006].
- 3 DATUM AND BASIC DIMENSIONS ESTABLISHED BY CUSTOMER.
- 4 BULK PACKAGED IN PARTITIONED BOXES IN THE EXTENDED POSITION.
- 5 EACH PROCESSOR INSTALLATION REQ'S TWO RETENTION MODULES.

RECOMMENDED PC BOARD LAYOUT SCALE 1:1



FOLDED POSITION



145380-1 AND -2 EXTENDED POSITION

145380-3 AND -4

2 MODULES WITH LOCKING PINS, NO EXTENSIONS	145380-4
1 MODULE WITH LOCKING PINS, NO EXTENSIONS	145380-3
2 MODULES WITH LOCKING PINS	4 145380-2
1 MODULE WITH LOCKING PINS	4 145380-1
DESCRIPTION	5 PART NUMBER

THIS DRAWING IS A CONTROLLED DOCUMENT FOR AMP INCORPORATED. IT IS SUBJECT TO CHANGE AND THE CONTROLLING ENGINEERING ORGANIZATION SHOULD BE CONTACTED FOR THE LATEST REVISION.		DWN R BROWN 15SEP98	AMP Incorporated Harrisburg, PA 17105-3608	
DIMENSIONS: mm [INCHES]		CHK E LOTTER 15SEP98	NAME UNIVERSAL RETENTION MODULE ASSEMBLY KIT, PIN FASTENER	
TOLERANCES UNLESS OTHERWISE SPECIFIED:		APVD V RUMINSKI 15SEP98	PRODUCT SPEC 108-1826	
0 PLC ±	1 PLC ±	APPLICATION SPEC	SIZE A2	
2 PLC ±0.13 [0.005]	3 PLC ±	WEIGHT -	CAGE CODE 00779	DRAWING NO. 145380
4 PLC ±	ANGLES ±	CUSTOMER DRAWING	SCALE 2:1	SHEET 1 OF 1
FINISH -			REV B	

Ø OF PCB HOLES